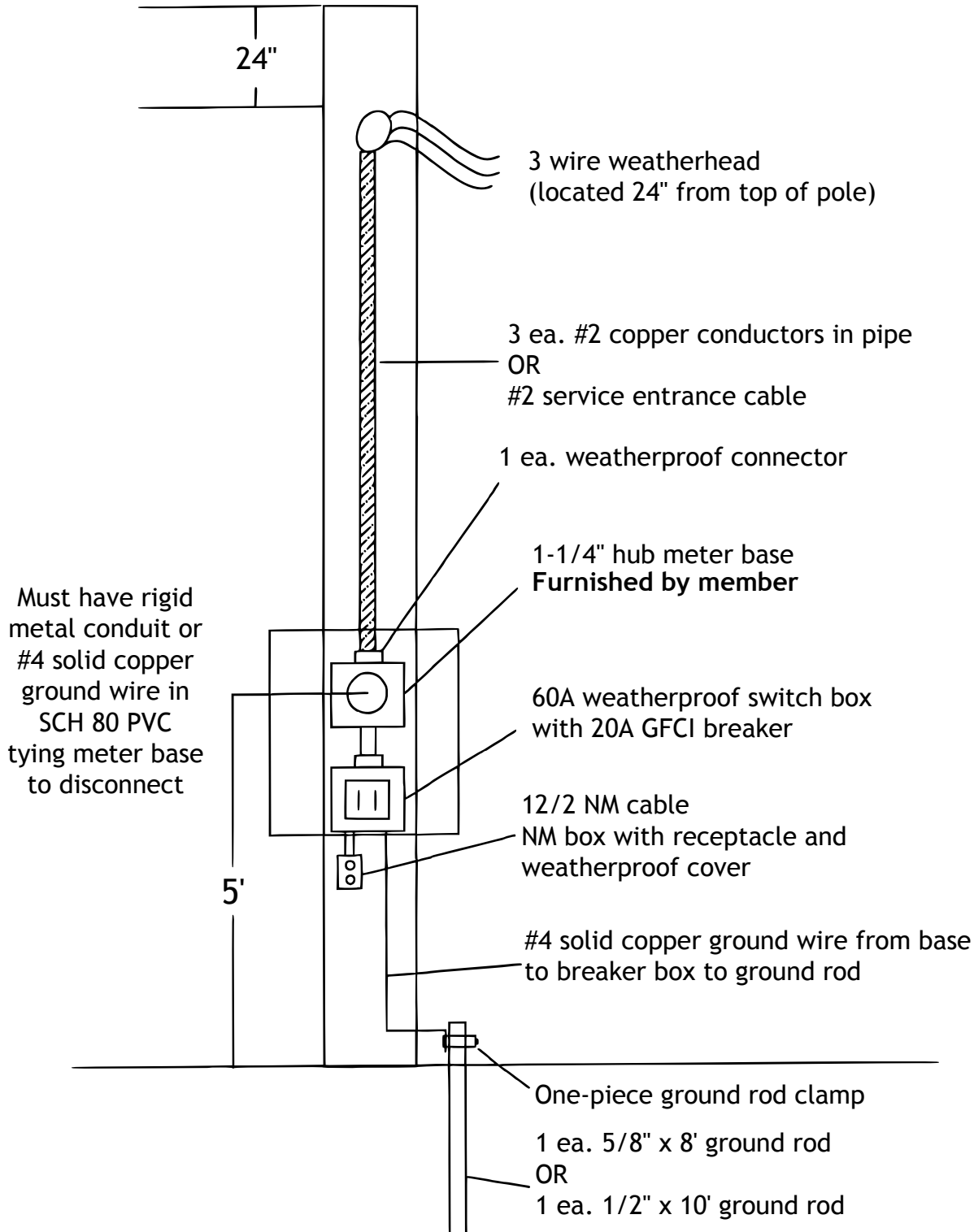


Carroll White REMC
 Delphi Monticello
 (765) 564-2057 (574) 583-7161
 (800) 844-7161
 www.cwremc.coop
 Revised May 2017

TEMPORARY METER POLE INSTALLATION MEMBER PROVIDED

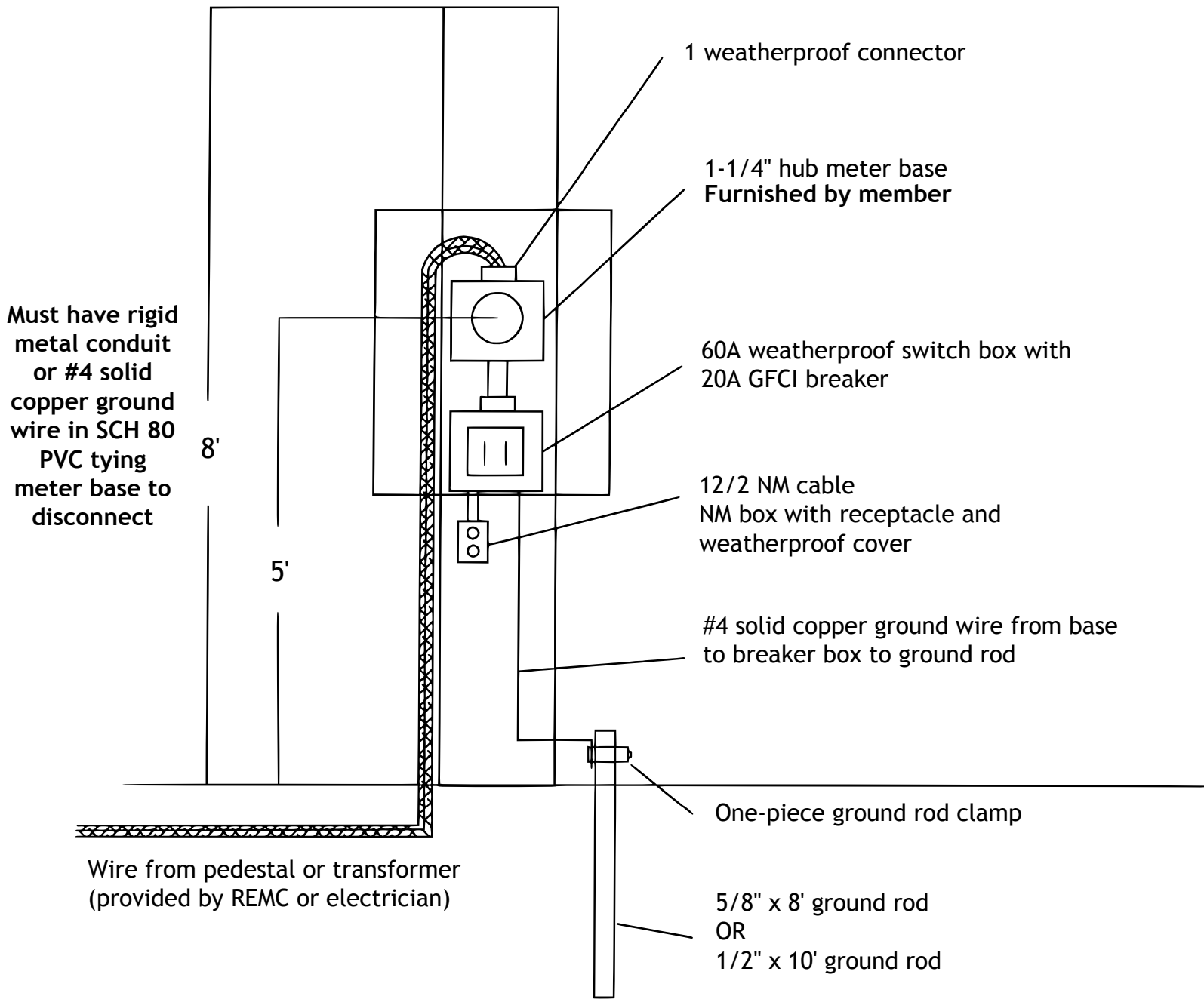
Location to be made by REMC within 50' of our
 transformer or existing service
 Temporary pole to be properly braced



Carroll White REMC
 Delphi Monticello
 (765) 564-2057 (574) 583-7161
 (800) 844-7161
 www.cwremc.coop
 Revised May 2017

TEMPORARY METER POLE URD INSTALLATION MEMBER PROVIDED

Location to be made by REMC within 5' of our
 transformer or existing service
 Temporary pole to be properly braced



Carroll White REMC
 Delphi Monticello
 (765) 564-2057 (574) 583-7161
 (800) 844-7161
 www.cwremc.coop
 Revised May 2017

RESIDENTIAL 100-200A CONDUIT RISER SERVICE

Location of metering to be approved by REMC

Minimum over driveway: 12'6"
 Minimum elsewhere: 10'6"
 Minimum leads: 36" (Mark neutral)

Roof Clearances

Mast head <= 48" from roof edge:
 Within 6' radius of service mast: 18"
 Outside 6' radius of service mast: 36"
 Mast head > 48" from roof edge: 36"

200 Amp Service

2" conduit (galvanized steel)

3 - 3/0 RHW/THW/THHW/THWN copper

1 - meter base (2" hub)
 2" insulated bushings and lock nuts

200A main service entrance panel

100 Amp Service

2" conduit (galvanized steel)

3 - #2 RHW/THW/THHW/THWN copper

1 - meter base (2" hub)
 2" insulated bushings and lock nuts

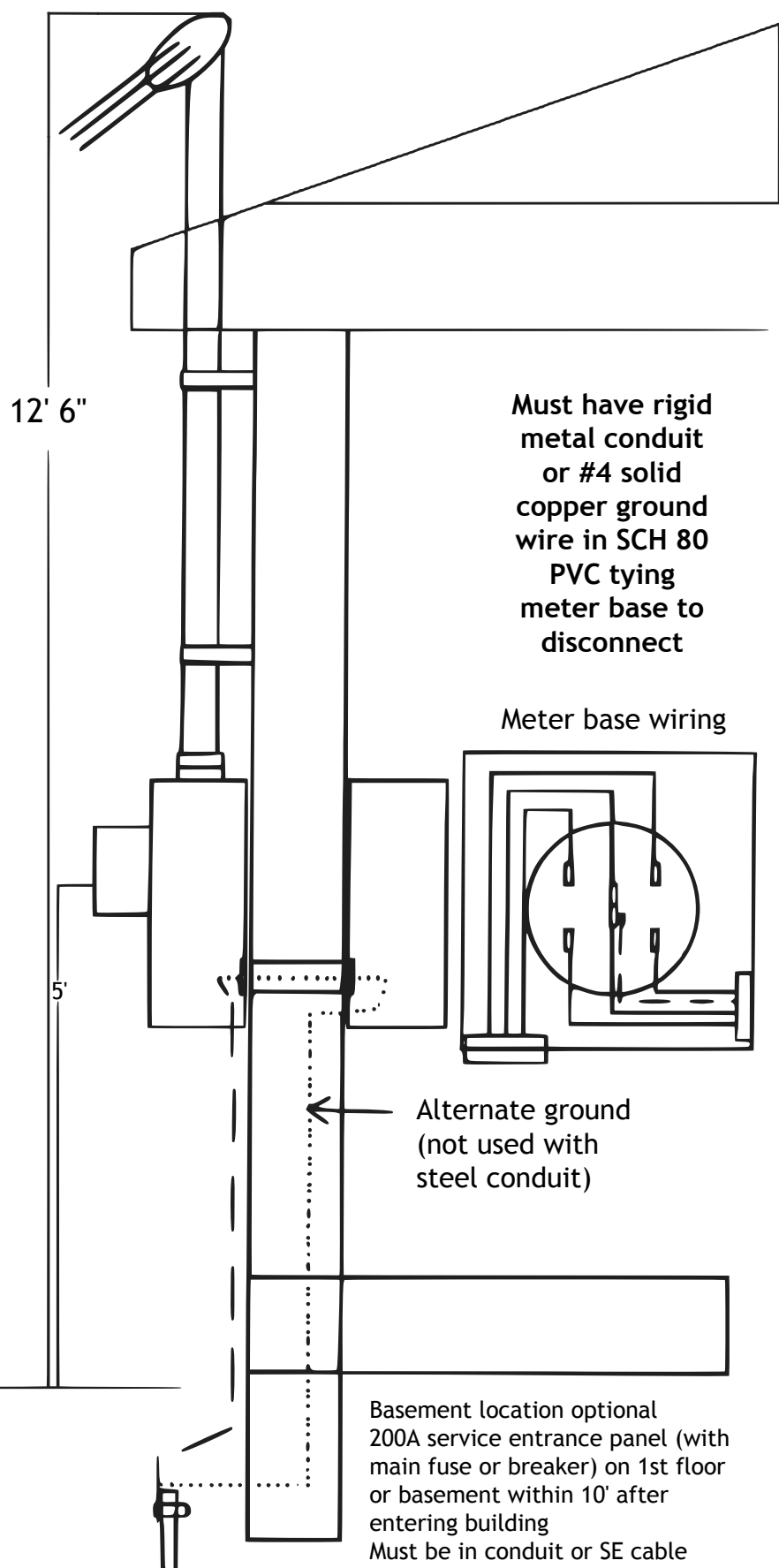
100A main service entrance panel

Grounding

#4 solid copper ground wire from base to breaker box to ground rod

1 ea. 5/8" x 8' ground rod
 OR
 1 ea. 1/2" x 10' ground rod
 One-piece ground rod clamp

Must have steel conduit or #4 solid tying meter base to disconnect



Must have rigid metal conduit or #4 solid copper ground wire in SCH 80 PVC tying meter base to disconnect

Meter base wiring

Alternate ground (not used with steel conduit)

Basement location optional
 200A service entrance panel (with main fuse or breaker) on 1st floor or basement within 10' after entering building
 Must be in conduit or SE cable

RESIDENTIAL 200A UNDERGROUND SERVICE

Location of metering to be approved by REMC
 All underground requires \geq 200A service

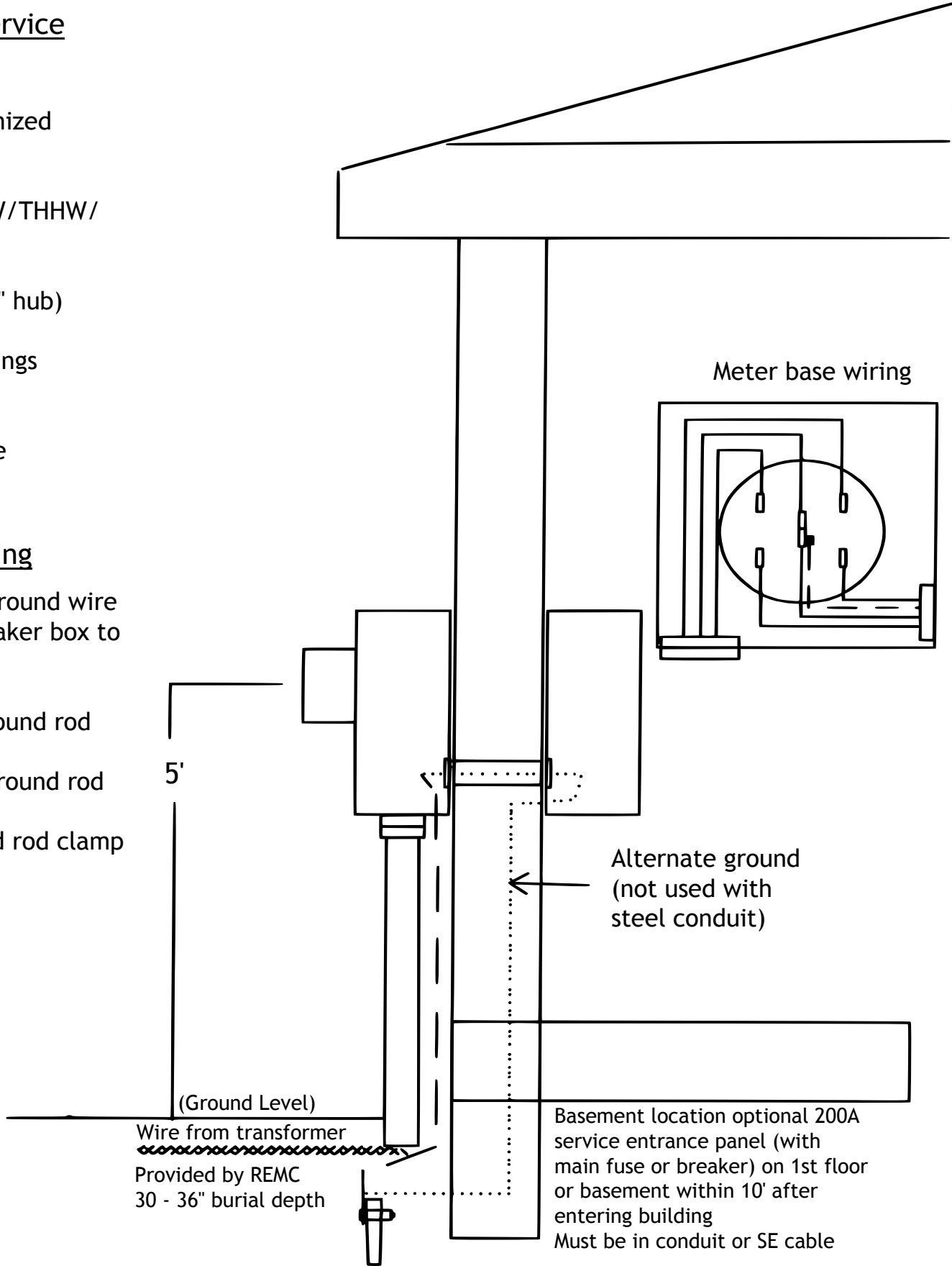
200 Amp Service

- 2" conduit (galvanized steel)
- 3 - 3/0 RHW/THW/THHW/THWN copper
- 1 - meter base (2" hub)
- 2" insulated bushings and lock nuts
- 200A main service entrance panel

Grounding

- #4 solid copper ground wire from base to breaker box to ground rod
- 1 ea. 5/8" x 8' ground rod OR
- 1 ea. 1/2" x 10' ground rod
- One-piece ground rod clamp

Must have rigid metal conduit or #4 solid copper ground wire in SCH 80 PVC tying meter base to disconnect



5'

(Ground Level)

Wire from transformer
 Provided by REMC
 30 - 36" burial depth

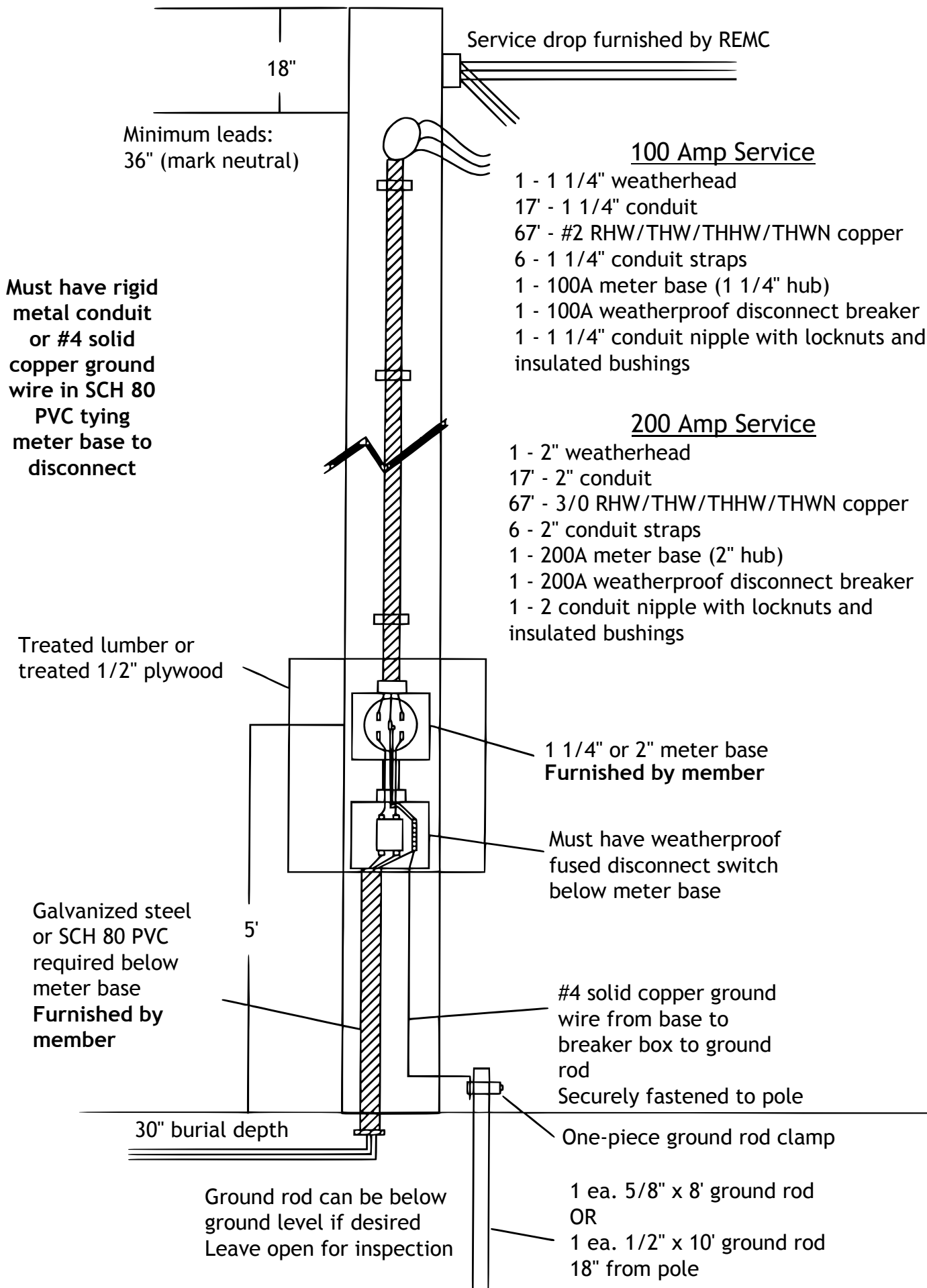
Meter base wiring

Alternate ground
 (not used with
 steel conduit)

Basement location optional 200A
 service entrance panel (with
 main fuse or breaker) on 1st floor
 or basement within 10' after
 entering building
 Must be in conduit or SE cable

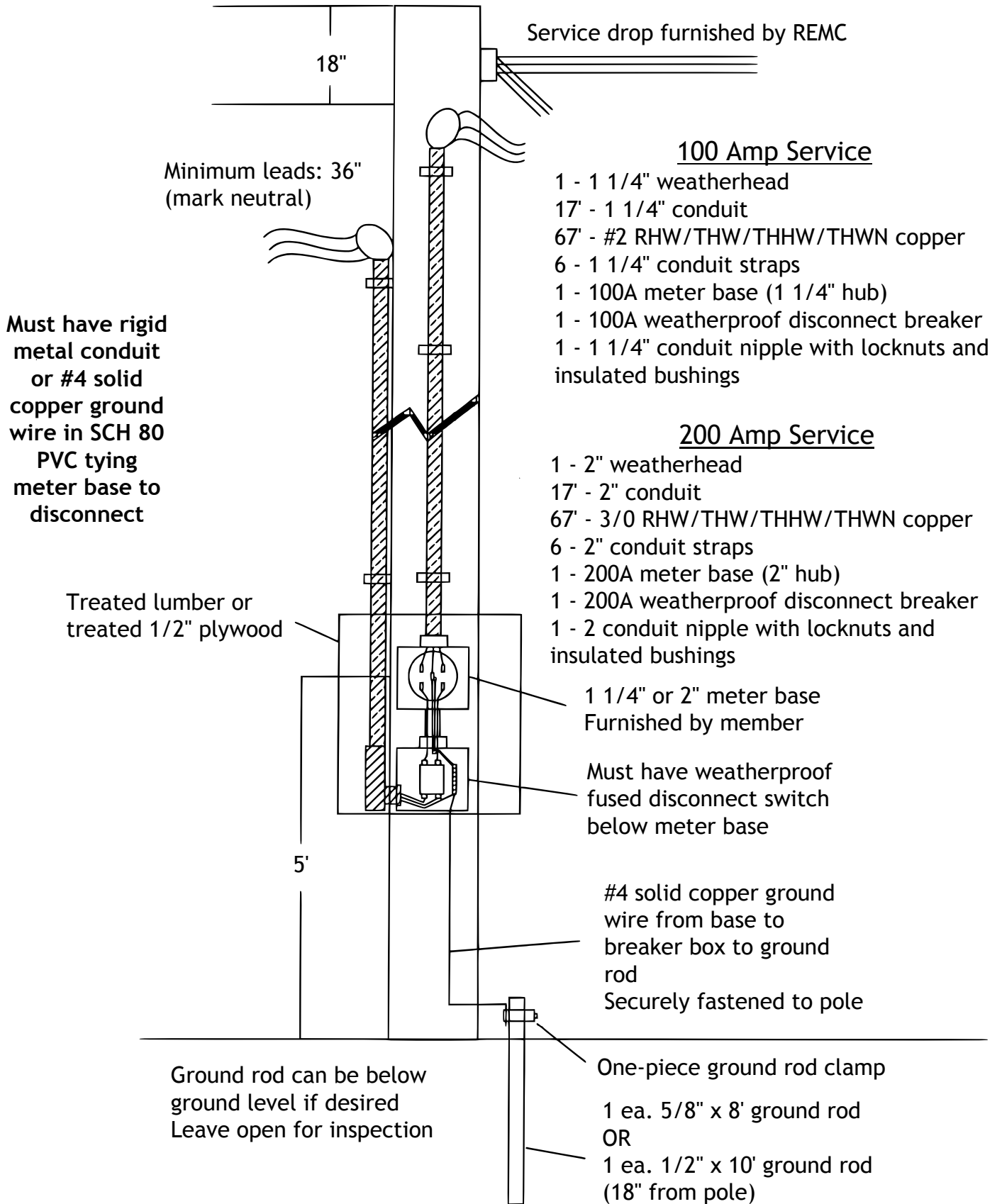
METER POLE FOR UNDERGROUND SERVICE

Carroll White REMC
 Delphi Monticello
 (765) 564-2057 (574) 583-7161
 (800) 844-7161
 www.cwremc.coop
 Revised May 2017

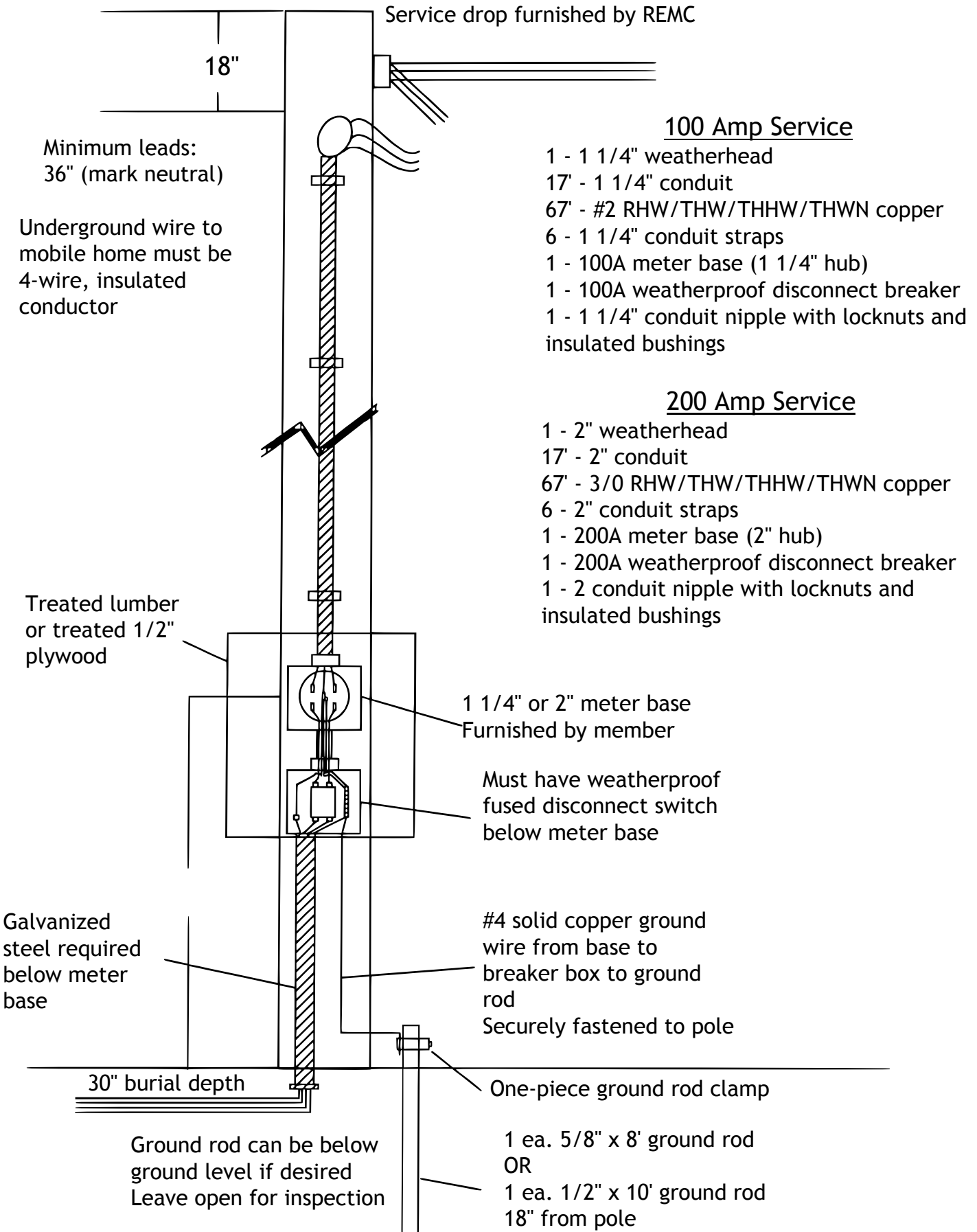


Carroll White REMC
 Delphi Monticello
 (765) 564-2057 (574) 583-7161
 (800) 844-7161
 www.cwremc.coop
 Revised May 2017

METER POLE FOR OVERHEAD SERVICE



MOBILE HOME UNDERGROUND SERVICE



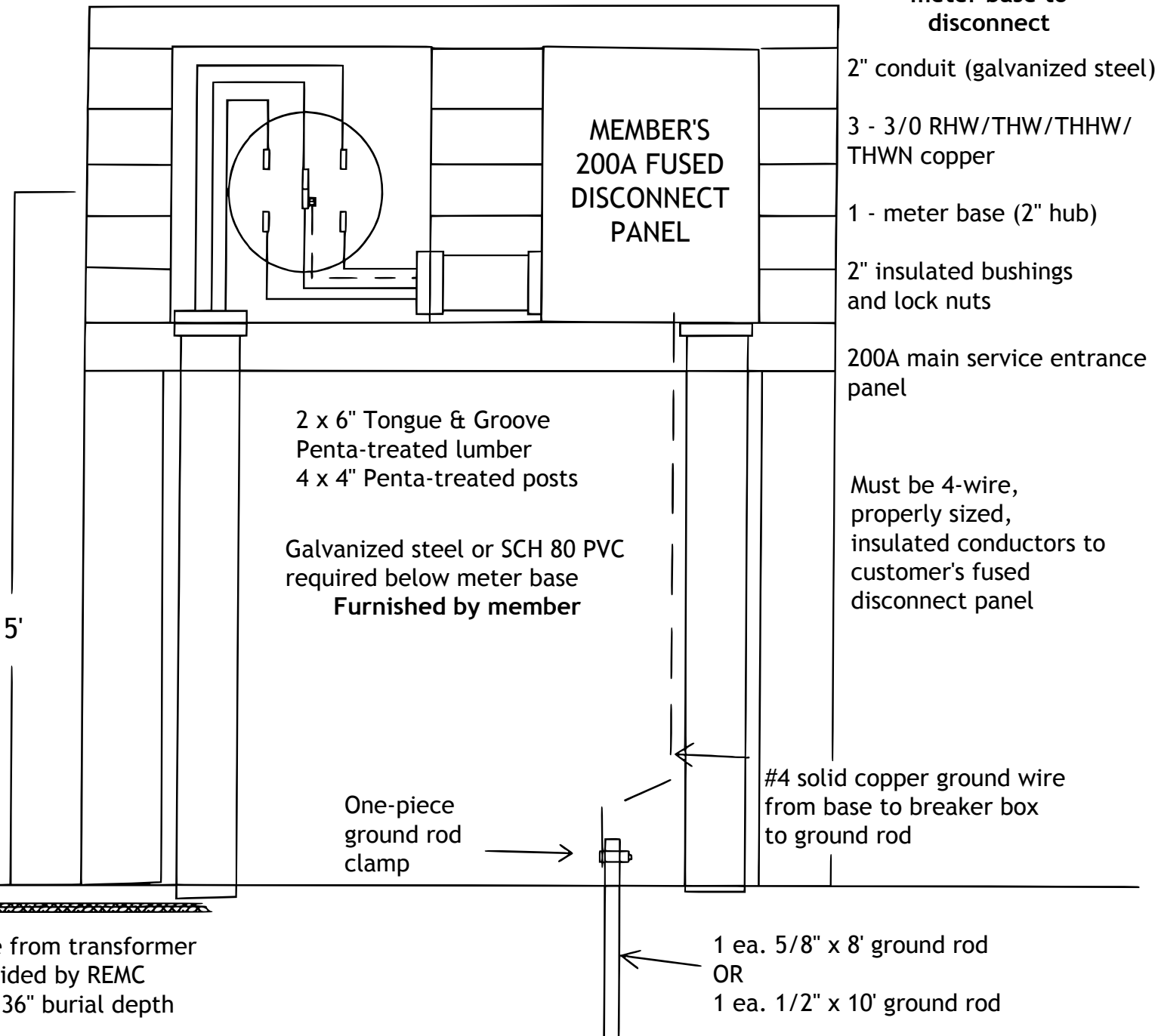
Carroll White REMC
 Delphi Monticello
 (765) 564-2057 (574) 583-7161
 (800) 844-7161
 www.cwremc.coop
 Revised May 2017

200A UNDERGROUND SERVICE PANEL BOARD

Location of metering to be approved by REMC

All underground requires \geq 200A service

Must have rigid metal conduit or #4 solid copper ground wire in SCH 80 PVC tying meter base to disconnect

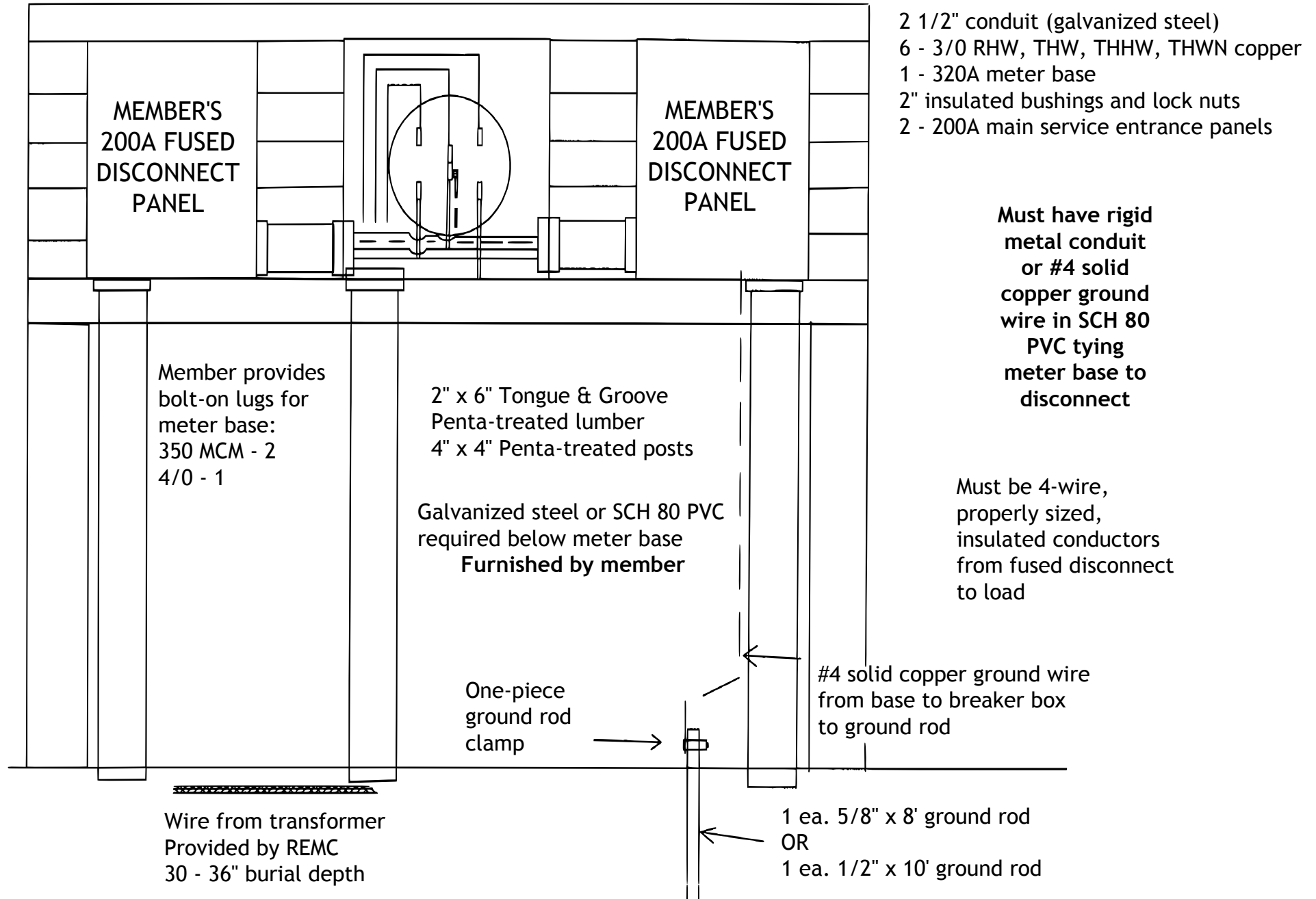


400A UNDERGROUND SERVICE (320A PANEL BOARD)

Location of metering to be approved by REMC

All underground requires \geq 200A service

Center of meter base is 5' above ground level



- 2 1/2" conduit (galvanized steel)
- 6 - 3/0 RHW, THW, THHW, THWN copper
- 1 - 320A meter base
- 2" insulated bushings and lock nuts
- 2 - 200A main service entrance panels

Must have rigid metal conduit or #4 solid copper ground wire in SCH 80 PVC tying meter base to disconnect

Must be 4-wire, properly sized, insulated conductors from fused disconnect to load

#4 solid copper ground wire from base to breaker box to ground rod

1 ea. 5/8" x 8' ground rod OR 1 ea. 1/2" x 10' ground rod

Member provides bolt-on lugs for meter base: 350 MCM - 2 4/0 - 1

2" x 6" Tongue & Groove Penta-treated lumber
 4" x 4" Penta-treated posts
 Galvanized steel or SCH 80 PVC required below meter base
 Furnished by member

One-piece ground rod clamp

MEMBER'S 200A FUSED DISCONNECT PANEL

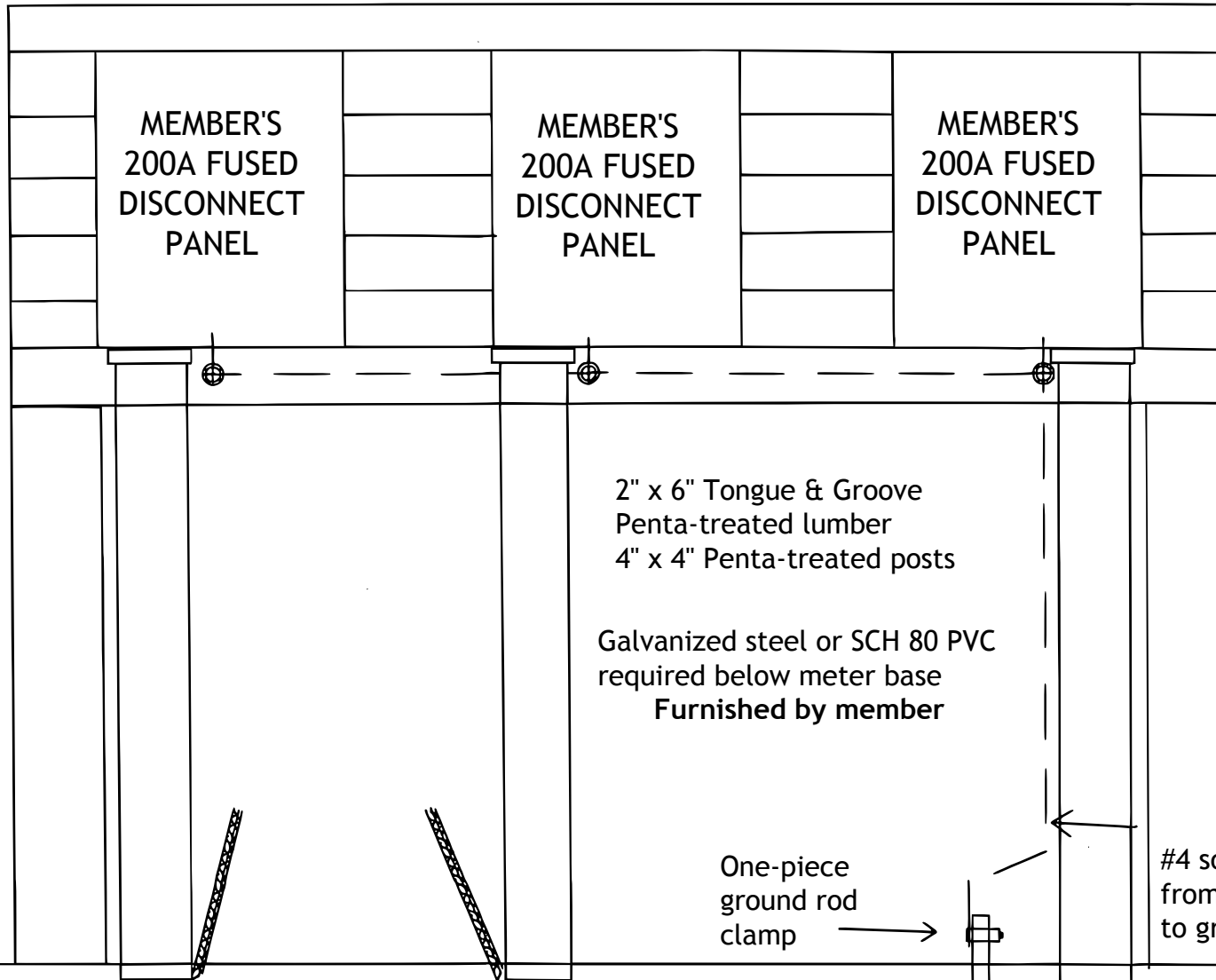
MEMBER'S 200A FUSED DISCONNECT PANEL

Wire from transformer Provided by REMC 30 - 36" burial depth

600A CT UNDERGROUND SERVICE
 Location of metering to be approved by REMC
 All underground requires \geq 200A service

Center of fused disconnect is 5' above ground level

- 3 - 2" conduit
- 9 - 3/0 RHW, THW, THHW, THWN copper
- 2" insulated bushings and lock nuts
- 3 - 200A main service entrance panels



Must have rigid metal conduit or #4 solid copper ground wire in SCH 80 PVC tying meter base to disconnect

Must be 4-wire, properly sized, insulated conductors from fused disconnect to load

One-piece ground rod clamp

#4 solid copper ground wire from base to breaker box to ground rod

3 wire to transformer
 Burial depth 30 - 36"
 Furnished by member

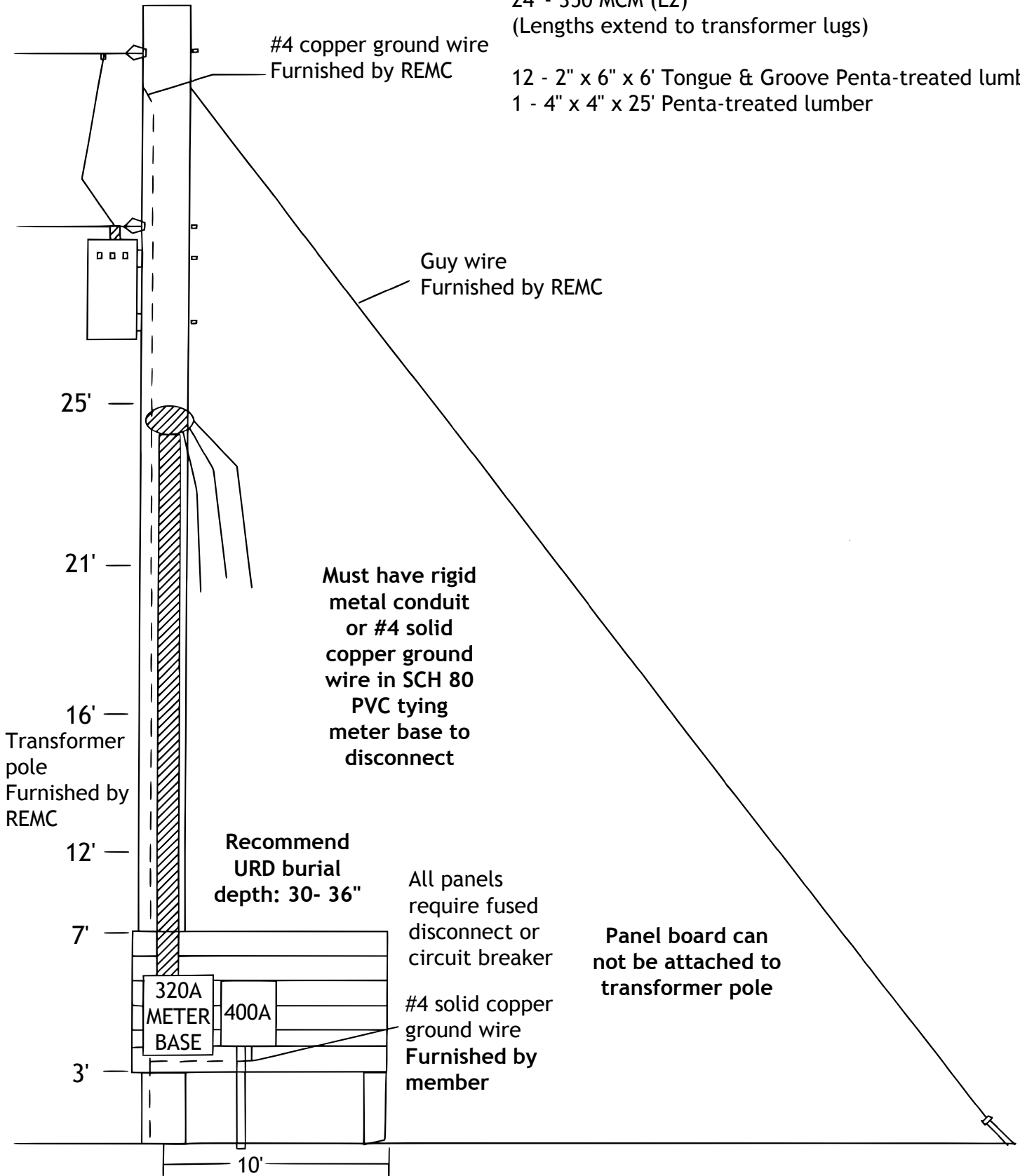
1 ea. 5/8" x 8' ground rod
 OR
 1 ea. 1/2" x 10' ground rod

400A TRANSFORMER PANEL WITH PANEL BOARD

Furnished by member for transformer pole 24'

24' - 4/0 (N)
 24' - 350 MCM (L1)
 24' - 350 MCM (L2)
 (Lengths extend to transformer lugs)

12 - 2" x 6" x 6' Tongue & Groove Penta-treated lumber
 1 - 4" x 4" x 25' Penta-treated lumber



#4 copper ground wire
 Furnished by REMC

Guy wire
 Furnished by REMC

Must have rigid
 metal conduit
 or #4 solid
 copper ground
 wire in SCH 80
 PVC tying
 meter base to
 disconnect

Recommend
 URD burial
 depth: 30- 36"

All panels
 require fused
 disconnect or
 circuit breaker

Panel board can
 not be attached to
 transformer pole

#4 solid copper
 ground wire
 Furnished by
 member

2 1/2" Galvanized steel or
 SCH 80 PVC required
 below meter base

Furnished by member

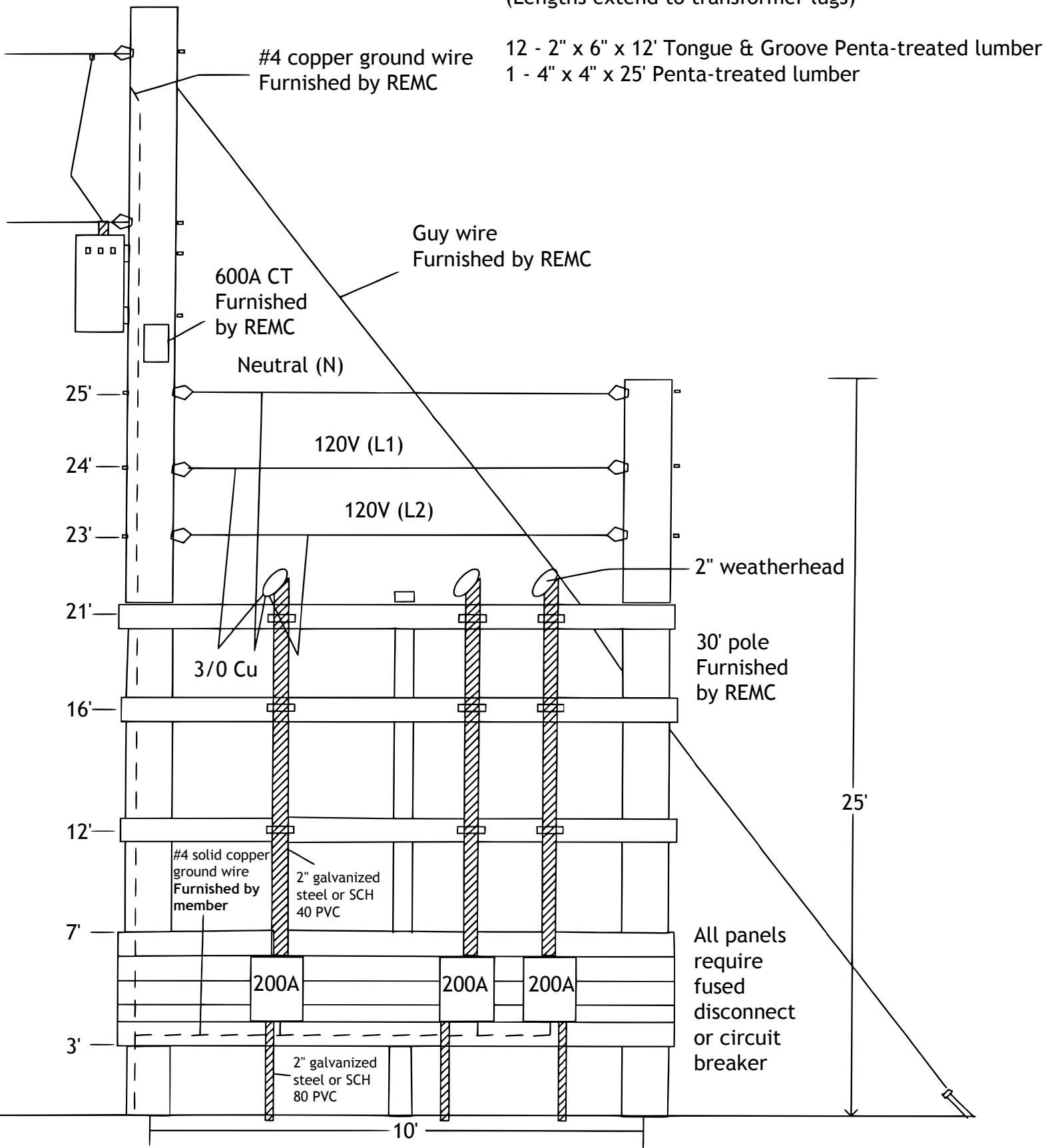
Carroll White REMC
 Delphi Monticello
 (765) 564-2057 (574) 583-7161
 (800) 844-7161
 www.cwremc.coop
 Revised May 2017

600A H-FRAME

Furnished by member for transformer pole

24' - 350 MCM (N)
 24' - 500 MCM (L1)
 24' - 500 MCM (L2)
 (Lengths extend to transformer lugs)

12 - 2" x 6" x 12' Tongue & Groove Penta-treated lumber
 1 - 4" x 4" x 25' Penta-treated lumber

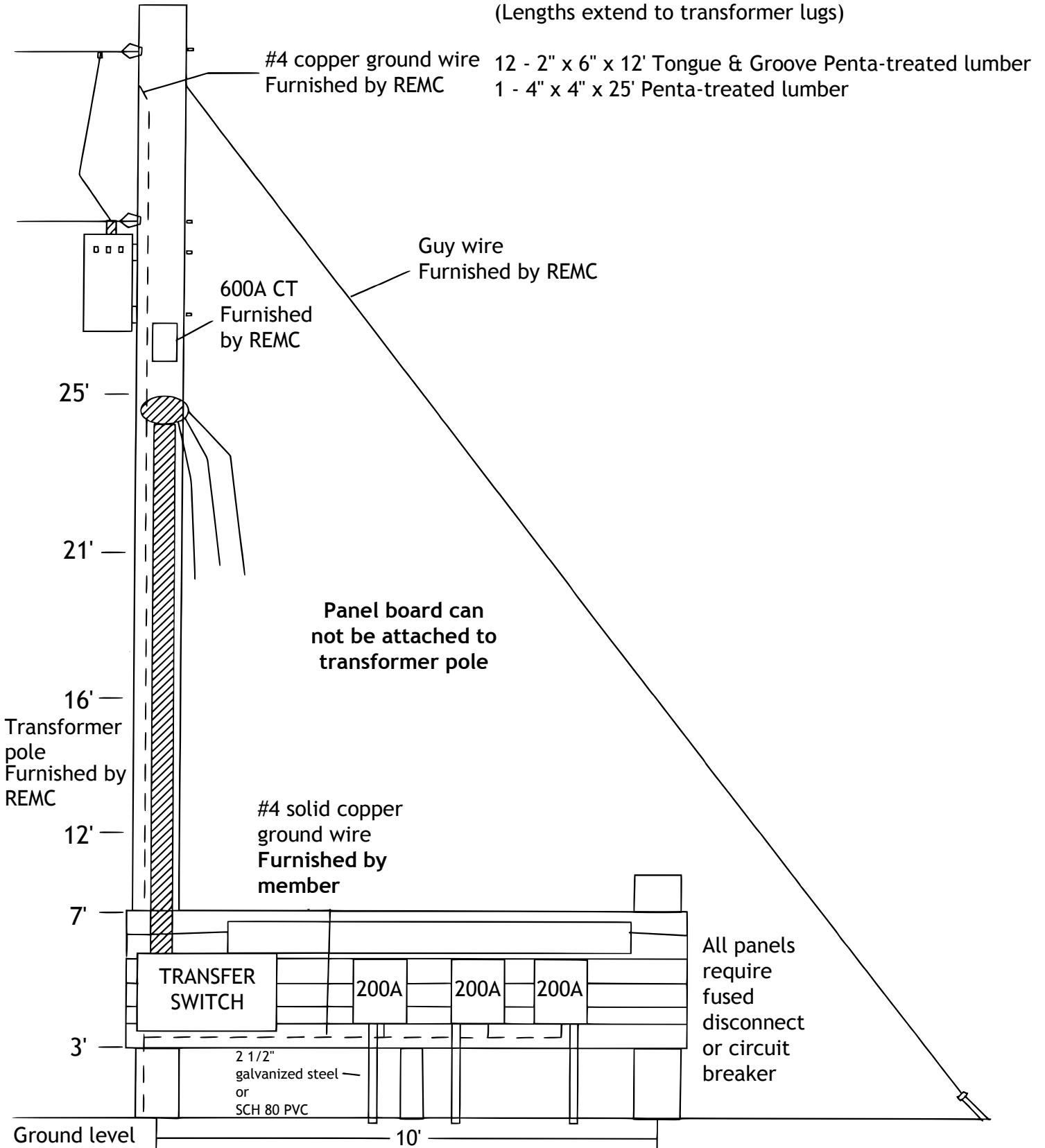


600A H-FRAME WITH TRANSFER SWITCH FOR STANDBY POWER

Carroll White REMC
Delphi Monticello
(765) 564-2057 (574) 583-7161
(800) 844-7161
www.cwremc.coop
Revised May 2017

Furnished by member for transformer pole

24' - 350 MCM (N)
24' - 500 MCM (L1)
24' - 500 MCM (L2)
(Lengths extend to transformer lugs)



Recommend URD
burial depth: 30- 36"
Furnished by member

INTERCONNECTION GENERATION METERING SPEC SHEET

Carroll White REMC
Delphi Monticello
(765) 564-2057 (574) 583-7161
(800) 844-7161
www.cwremc.coop
Revised May 2017

The generation installation must comply with the requirements of the current National Electrical Code (NEC), National Electrical Safety Code (NESC), Underwriters Laboratory (UL) 1741, and any other applicable national, state, and local codes and ordinances

Location of the disconnect to be approved by REMC

